

# Quick Installation Guide

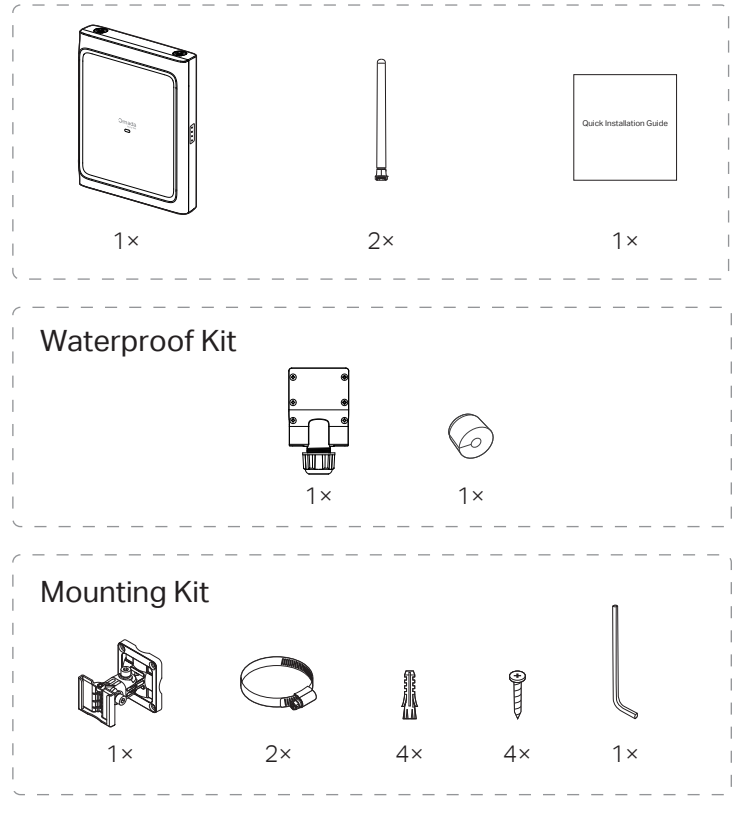
## Indoor/Outdoor Access Point



Scan for  
EAP Start Guide

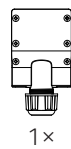
Note: EAP775-Outdoor is used as an example throughout the guide. Images may differ from your actual product.  
©2026 TP-Link 710003090 REV1.0.1

### Package Contents

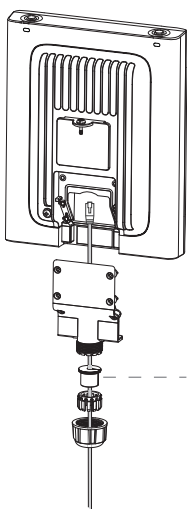


## Installation

### Waterproofing



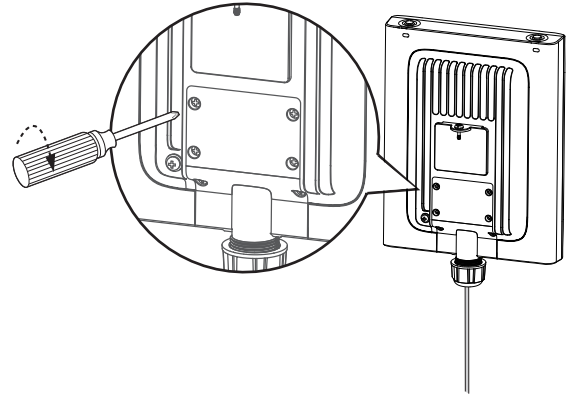
1



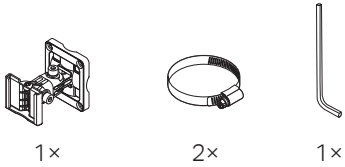
Note: An additional seal of different size (5mm/6mm) is provided in the package. To ensure waterproofing, choose the proper seal according to the type and diameter of the Ethernet cable.

1x

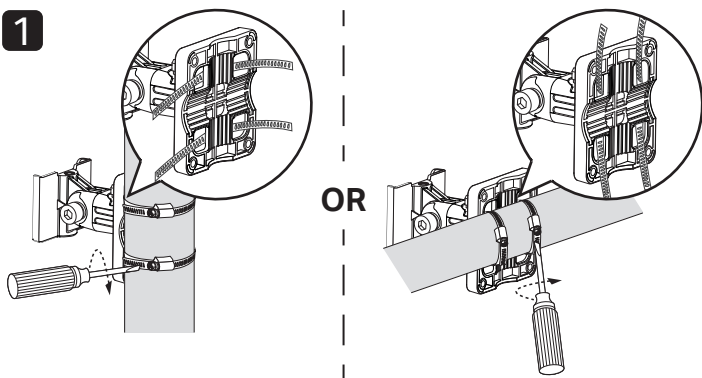
2



### Option 1: Pole Mounting

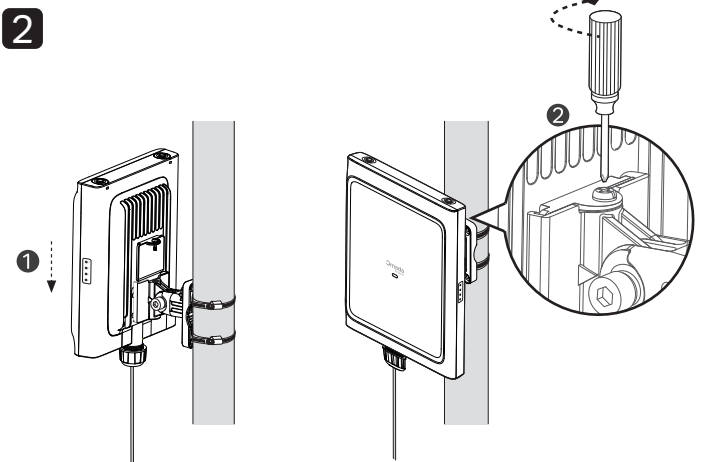


1



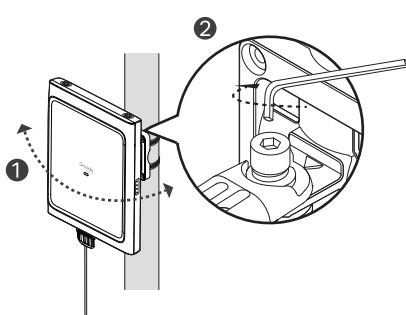
Note: The mounting bracket supports both vertical and horizontal pole mounting. The following steps use a vertical pole as the example.

2

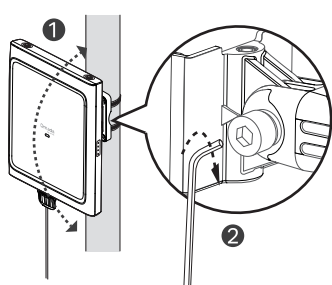


3

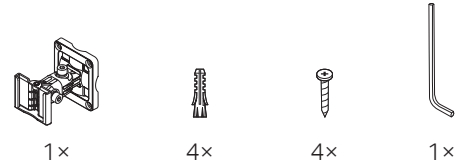
Horizontal Adjustment:



Vertical Adjustment:

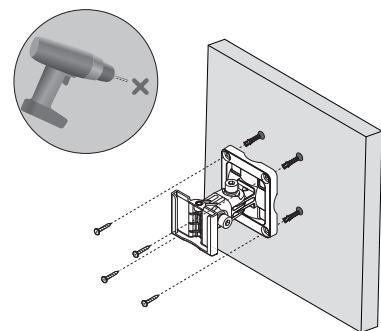


### Option 2: Wall Mounting

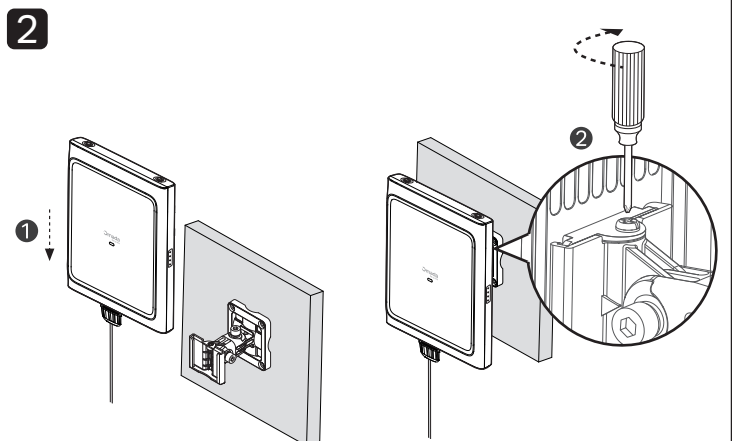


1

Φ 7.6 mm (19/64 in)

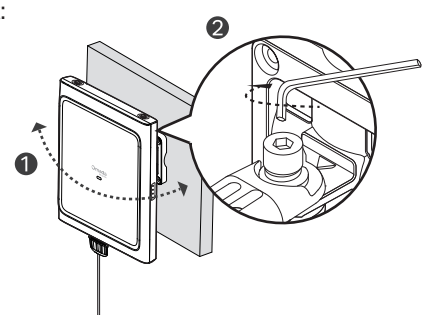


2

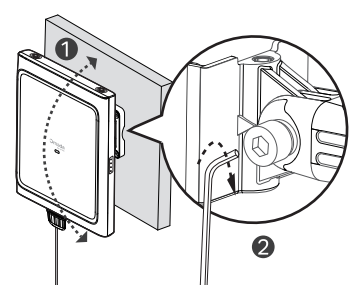


3

Horizontal Adjustment:



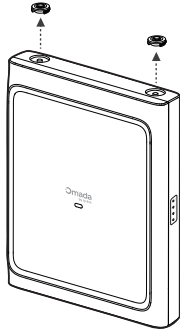
Vertical Adjustment:



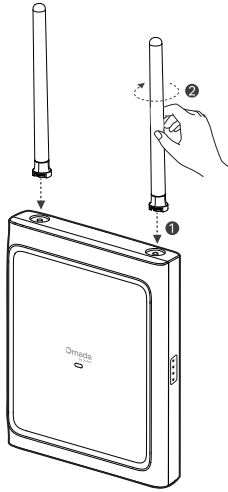
## External Antenna Installation

**Note:** With the external antennas installed, the device will automatically switch to omnidirectional mode; otherwise, the device operates in directional mode by default.

1



2

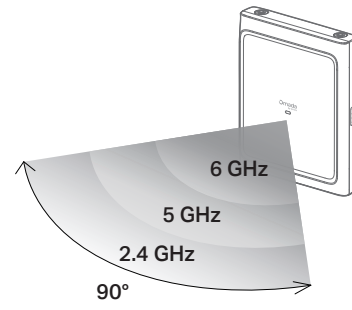


## Antenna Orientation

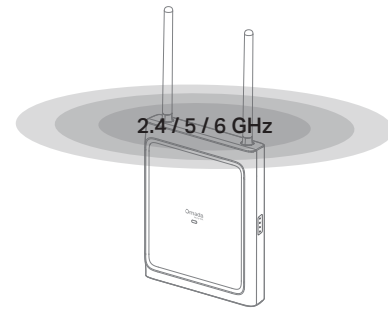
By default, the antenna mode automatically switches based on the presence of external antennas. To manually adjust the antenna mode, use Omada Controller version 6.1 or later.

**Note:** Using third-party external antennas is not recommended, as smart switching may not work properly.

### • Directional Mode

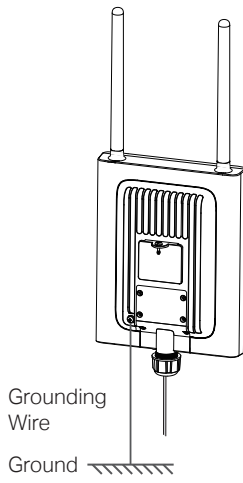


### • Omnidirectional Mode



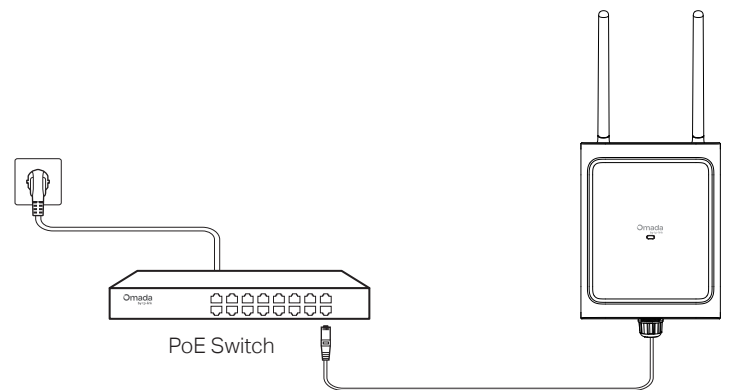
## Connection

### 1. Grounding



**Note:** For lightning and ESD protection, connect the EAP's grounding terminal to grounding facilities using a proper grounding wire, which should meet local installation requirements.

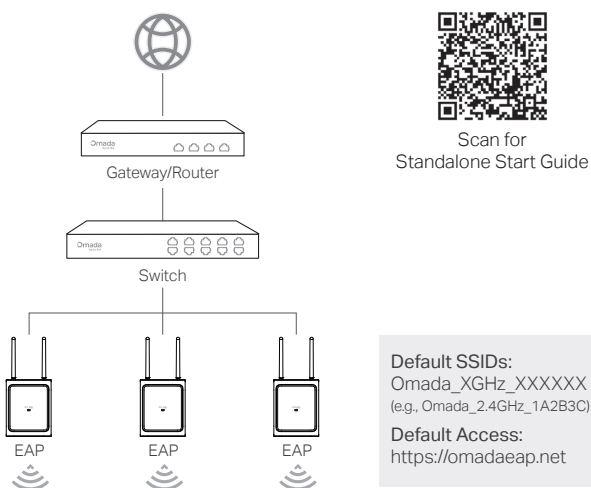
### 2. Power On



## Configuration

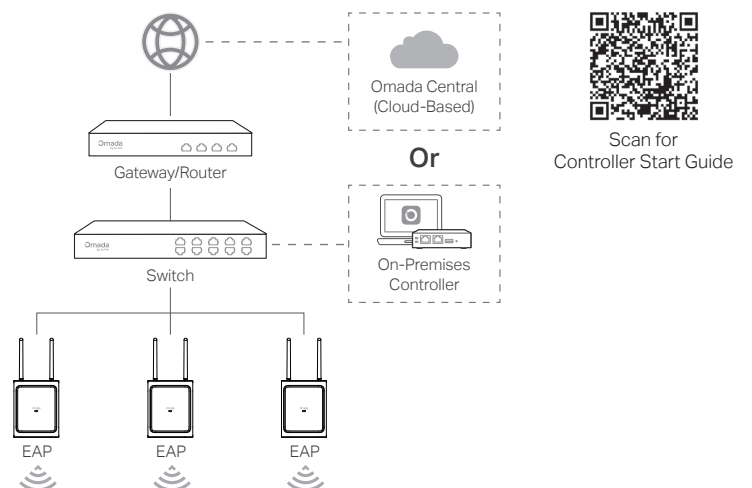
### Option 1: Standalone Mode

Configure and manage each EAP on its standalone page.



### Option 2: Controller Mode

Configure and manage EAPs (and other Omada devices) centrally with an Omada Controller.



### Omada App

With the TP-Link Omada app, you can access and manage your Omada devices at a local site or remotely with a tap of your phone.



### More Configurations

For more configurations, refer to the User Guides of the Omada Controller and Omada Access Points at:  
<https://support.omadanetworks.com/document/>

## Safety Information

- Keep the device away from fire or hot environments. DO NOT immerse in water or any other liquid.
- Do not attempt to disassemble, repair, or modify the device. If you need service, please contact us.
- Do not use the device where wireless devices are not allowed.
- The PoE ports shall not be used to charge lithium batteries or devices supplied by lithium batteries.
- This equipment can be powered only by equipments that comply with Power Source Class 2 (PS2) or Limited Power Source (LPS) defined in the standard of IEC 62368-1.

## More Resources

Main Site	<a href="https://www.omadanetworks.com/">https://www.omadanetworks.com/</a>
Video Center	<a href="https://support.omadanetworks.com/video/">https://support.omadanetworks.com/video/</a>
Documents	<a href="https://support.omadanetworks.com/document/">https://support.omadanetworks.com/document/</a>
Product Support	<a href="https://support.omadanetworks.com/product/">https://support.omadanetworks.com/product/</a>
Technical Support	<a href="https://support.omadanetworks.com/contact-support/">https://support.omadanetworks.com/contact-support/</a>

## Warranty

For details on the warranty period, policy, and procedures, visit <https://support.omadanetworks.com/warranty-services/>.

## Support

For technical support, user guides, and other information, please visit <https://support.omadanetworks.com/>, or simply scan the QR code.

